

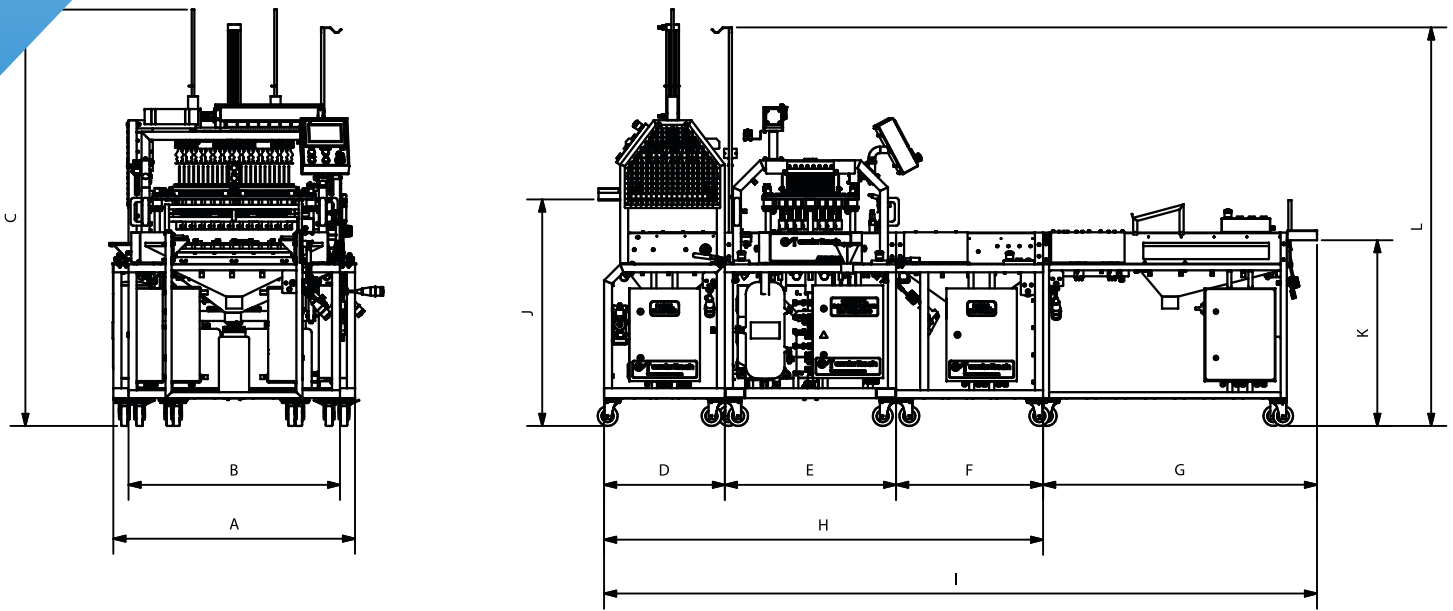


**Technology
and Optimization
in the space
you have**

**BRJECT® in ovo
Vaccination System**



Dimensions of the BRJECT device



Equipment

Dimensions (mm)	Equipment					Description
	COTA	BRJECT CP84/CA86	BRJECT CP84+MTA Dupla	BRJECT CA77/84/96	BRJECT PS150/PR162	
A	1200	1200	1200	1420	800	Width of the BRJECT
B	965	965	1050	1140	800	Width of the Automatic Transfer Table (MTA)
C	2034	2065	2067,5	2047	2015	Maximum height of the Automatic Transfer Table (MTA)
D	598	900	600	700	1380	Length of the Automatic Transfer Table (MTA)
E	850	850	850	900	1600	Length of the BRJECT
F	876,5	876,5	876,5	876,5	1180	Length of the PEA - Automatic Entry Platform
G	1360	1360	1360	1380	2160	Length of the Egg Check- Ovoscopia*
H	2324,5	2626,5	2326,5	2476,5	4160	Length of the BRJECT + MTA + PEA
I	3684,5	3986,5	3686,5	3856,5	6320	Length of the complete system
J	1120	1122	1124,5	1104,5	1080	Height of the hatch box entrance (MTA)
K	917	917	917,5	937	934	Height of the hatch trays entrance (PEA or OVC)
L	1977	1977	1979	1949	1949	Maximum height of BRJECT

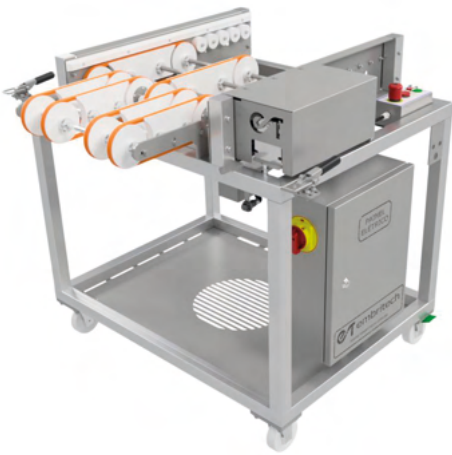
Some devices may not accompany an ovoscopia *



MTA| Automatic Egg Transfer Table

Our complete vaccination system also has an Automatic Transfer Table, equipment designed to automatically remove the incubation trays at the exit of the vaccinator and transfer the eggs from this to the hatch box, generating greater performance and ergonomics in the operation of the equipment.

The Automatic Transfer Table has a head containing suction cups distributed according to the placement of eggs in the incubation tray. These suction cups, suction the eggs through a vacuum pump activated at the correct time, allowing that the transfer occur harmoniously without causing damage to the embryos.



PEA| Automatic Entry Platform

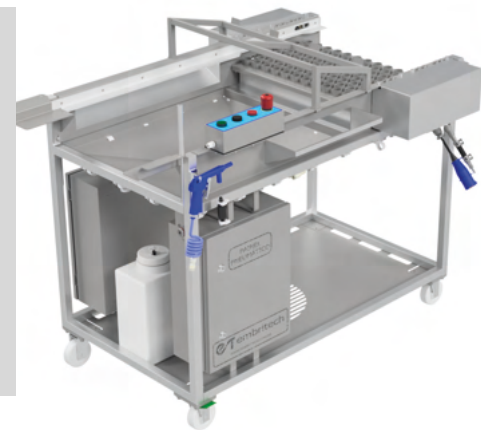
The BRJECT system also has an Automatic Entry Platform, which is an equipment developed to automatically insert the trays at the entrance of the vaccinator, generating greater performance and ergonomics in the operation of the equipment.

The Automatic Entry Platform performs automatic feeding of trays to the vaccinator, allowing an accumulation of two trays in the process, thus ensuring the continuity of the vaccination process.



Egg Check | Ovoscopia

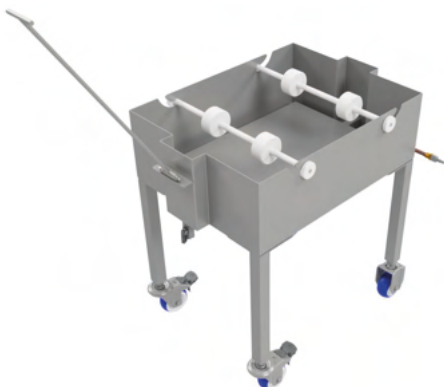
The Ovoscopia System is suitable for the operator to identify clear eggs. For each cavity where the eggs are accommodated, there is an LED that emits light, providing a more accurate measurement of the clear eggs, thus avoiding wasting the vaccine. The egg tray is positioned on an LED board that moves to the bottom of the eggs, illuminating them, allowing time for viewing and removal. Afterwards, the system releases the tray for follow-up in the process and thus operates uninterruptedly.



SL | Suction Cup Cleaning System

The Suction Cup Cleaning System was developed to perform the correct cleaning of the MTA suction plate. This system work with the immersion of the suction cups plate in a cleaning solution with air jets on each suction cup, so that debris can be stirred up and removed from the suction cups.

This helps to reduce maintenance and improve component life, as well as freeing the equipment from possible cross-contamination.



Characteristics of the BRJECT device

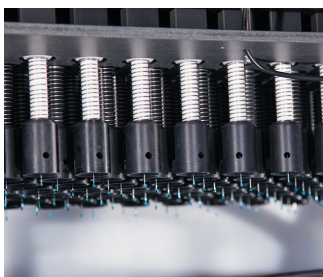
Automatic Vaccinator BRJECT

The BRJECT vaccinator is a product with the Embritech's quality and technology, a result of the company's market experience in equipments for hatcheries.

This device has been projected and developed to comply with the needs of speed and quality of in ovo vaccination, and it is prepared to receive egg trays with capacity of 77, 84, 86, 96, 150 162 and 165 eggs, from Casp (CA), Chick Master (CM), Coopermaq (CP), Pas Reform (PR) and Pertersime (PS), depending of the client's necessity.

Our equipment is manufactured with high standart metals, such as stainless steel 304 and aluminum 6061 and 6351, having high mechanical resistance and corrosion. Engineering polymers such as HMW, Polyacetal, Polypropylene and Nylon are also used, providing high quality.

The machine has what is most effective to serve any incubation plant, even with its compact size, the BRJECT model has a high production capacity, varying according to the configuration of each machine, enabling small, medium and large companies to access in ovo Vaccination technology.



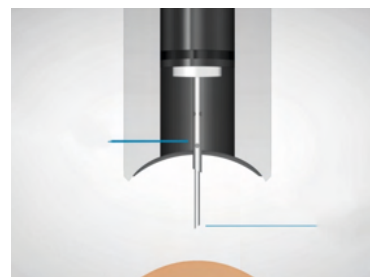
Desinfection after each injection



HMI Display



Peristaltic Pumping System



Double needle system



Initial and final Cleaning system



High speed vaccination



Delivery of the vaccine in the correct site of injection



Easy handling and maintenance



Get to know the **CHICK COUNTER** **EMBRITECH**



Scan the code to see the
Chick Counter operating:



The Automatic Chick Counter Embritech® is an equipment that counts 100 chicks inside specific boxes for the disposal of chicks in hatcheries. Provides accurate counting, being much more efficient than human counting.

Its maximum capacity is 45 thousand chicks/hour, counting the chicks through 7 channels. Three sequential mats promote separation between chicks. Curves arranged at the end of the last mat place the chicks in the correct boxes. After the boxes are completely full, the equipment also performs the spray vaccination.



The manual ChickCounter was projected to comply with the needs of speed and quality in the process of counting and sexing chicks. Sexing is done through two channels that direct the chicks to separate boxes, and counting is done through sensors.



Rua Vicente Costa do Nascimento 151-E | Distrito Industrial Flávio Baldissera
CEP: 89813-826 Chapecó - SC | Fone: (49) 3324-0304 – (49) 3361 9899

Acesse nosso site e saiba mais sobre nossos produtos
e serviços: www.embritech.com.br



fb.com/embritech



@embritech